



DIMENSIONS

HxWxD: 41 x 31 x 36"



MATERIAL

Solid oak, Laminated veneer and Polyester



WEIGHT INCL. PACKAGING

61 lbs

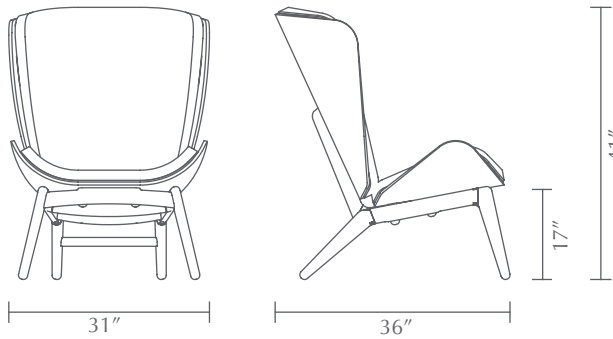


PACKAGING

Box dimensions (LxWxH):
33 x 38 x 44"

Ordering Information

Petrol Blue - Oak	5530
Silver Grey - Oak	5531
Spring Green - Oak	5532
Dusty Rose - Oak	5533
Slate Grey - Oak	5534
Grade A, H, I, L - Oak	5500
Petrol Blue - Dark Oak	5730
Silver Grey - Dark Oak	5731
Spring Green - Dark Oak	5732
Dusty Rose - Dark Oak	5733
Slate Grey - Dark Oak	5734
Grade A, H, I, L - Dark Oak	5700



Colour variations Additional Grade-in upholsterys are available. Visit kfstudios.com/Textile/ReaderUpholstery



oak



dark oak



petrol blue



silver grey



spring green



dusty rose



slate grey



SHELL YOURSELF FROM THE OUTSIDE AND DIVE IN

The Reader wing chair has been designed as a place for letting your body sink into and relax. The chair's special curved shell is inspired by traditional Danish crafting techniques and helps to reduce surrounding noise, offering a place of shelter and reflection.

With its light form and bold organic curves, The Reader is a stand-out design piece in any setting and just right for enjoying a good book or engaging conversation

RECOMMENDED ACCS.

Petrol Blue - Oak	5583-1
Silver Grey - Oak	5583-2
Spring Green - Oak	5583-3
Dusty Rose - Oak	5583-4
Slate Grey - Oak	5583-5
Grade A, H, I, L - Oak	5583
Petrol Blue - Dark Oak	5588-1
Silver Grey - Dark Oak	5588-2
Spring Green - Dark Oak	5588-3
Dusty Rose - Dark Oak	5588-4
Slate Grey - Dark Oak	5588-5
Grade A, H, I, L - Dark Oak	5588

